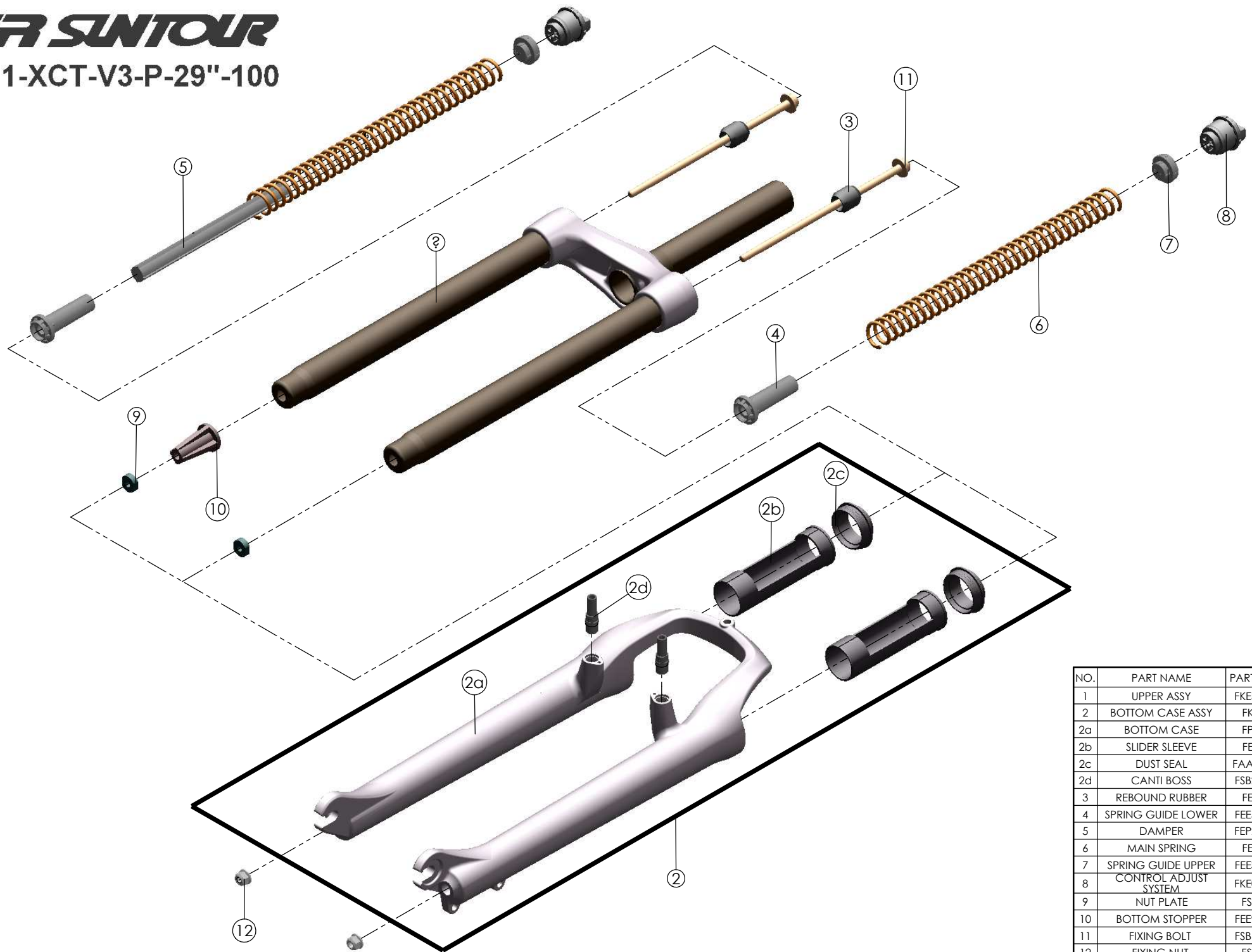


SUNTOUR

SF11-XCT-V3-P-29"-100



| NO. | PART NAME | PART CODE | QTY. |
|-----|-----------------------|-----------|------|
| 1 | UPPER ASSY | FKE354-10 | 1 |
| 2 | BOTTOM CASE ASSY | FKE387 | 1 |
| 2a | BOTTOM CASE | FPB299 | 1 |
| 2b | SLIDER SLEEVE | FEE942 | 2 |
| 2c | DUST SEAL | FAA125-40 | 2 |
| 2d | CANTI BOSS | FSB241-16 | 2 |
| 3 | REBOUND RUBBER | FEP086 | 2 |
| 4 | SPRING GUIDE LOWER | FEE502-30 | 2 |
| 5 | DAMPER | FEP262-20 | 1 |
| 6 | MAIN SPRING | FEP400 | 2 |
| 7 | SPRING GUIDE UPPER | FEE389-40 | 2 |
| 8 | CONTROL ADJUST SYSTEM | FKE008-11 | 2 |
| 9 | NUT PLATE | FSN025 | 2 |
| 10 | BOTTOM STOPPER | FEE909-00 | 1 |
| 11 | FIXING BOLT | FSB159-03 | 2 |
| 12 | FIXING NUT | FSN023 | 2 |