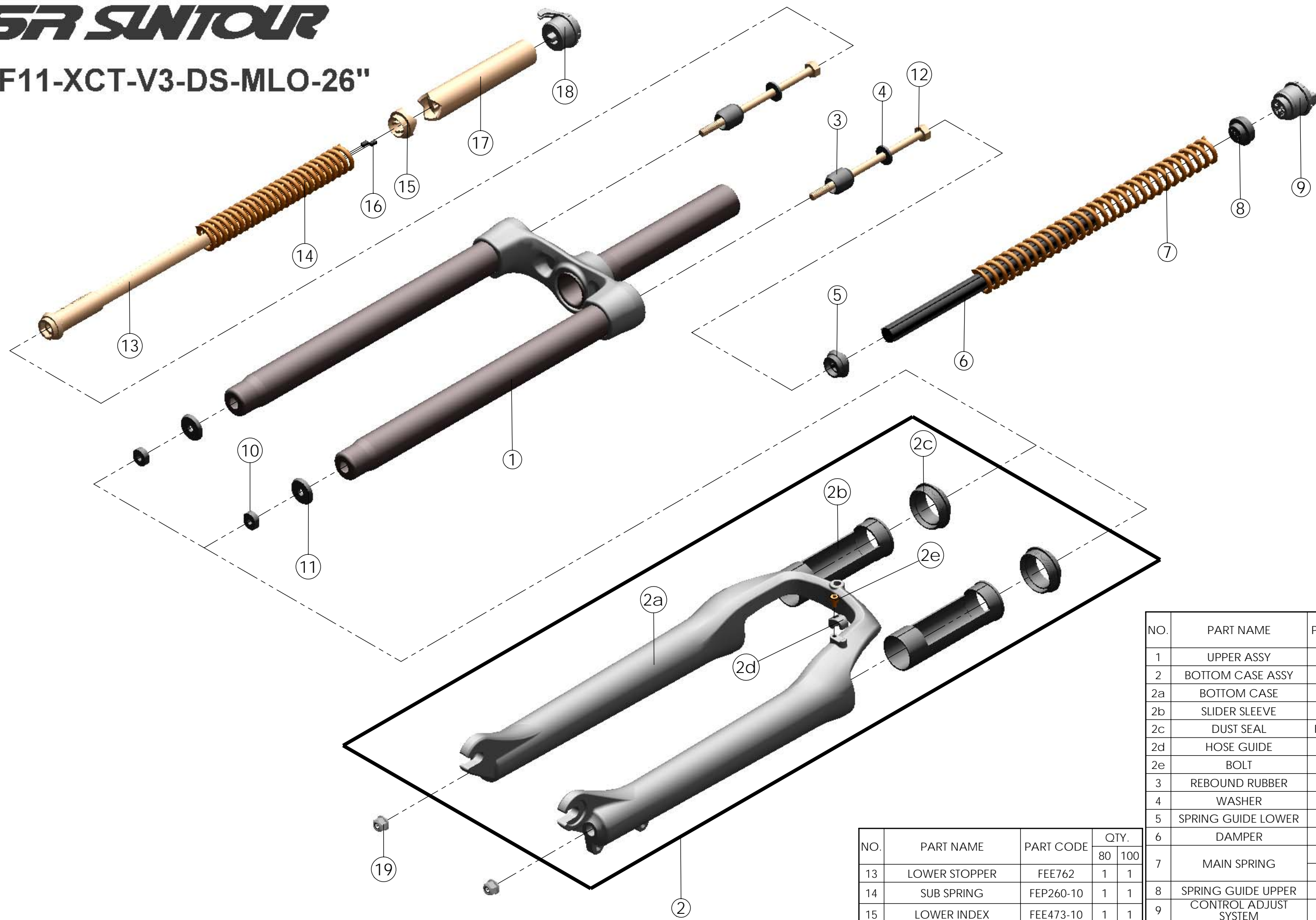


# SF SUNTOUR

## SF11-XCT-V3-DS-MLO-26"



NO.	PART NAME	PART CODE	QTY.	
			80	100
13	LOWER STOPPER	FEE762	1	1
14	SUB SPRING	FEP260-10	1	1
15	LOWER INDEX	FEE473-10	1	1
16	BOTTOM DAMPER	FEP263	2	2
17	UPPER STOPPER	FEE463-10	1	1
18	MLO TOP CAP ASSY	FKE078-04	1	1
19	FIXING NUT	FSN023	2	2

NO.	PART NAME	PART CODE	QTY.	
			80	100
1	UPPER ASSY	FKE351-20	1	1
2	BOTTOM CASE ASSY	FKE353	1	1
2a	BOTTOM CASE	FPB278	1	1
2b	SLIDER SLEEVE	FEE942	2	2
2c	DUST SEAL	FAA125-40	2	2
2d	HOSE GUIDE	FEE797	1	1
2e	BOLT	FSB153	1	1
3	REBOUND RUBBER	FEP086	2	2
4	WASHER	FSW003	2	2
5	SPRING GUIDE LOWER	FEE468-10	1	1
6	DAMPER	FEP262-10	1	1
7	MAIN SPRING	FEP289	1	-
		FEP261	-	1
8	SPRING GUIDE UPPER	FEE467-10	1	1
9	CONTROL ADJUST SYSTEM	FKE008-11	1	1
10	NUT PLATE	FSN025	2	2
11	BOTTOM STOPPER	FEE465	2	2
12	FIXING BOLT	FSB107-10	2	-
	FIXING BOLT L	FSB067-70	-	1
	FIXING BOLT R	FSB107	-	1