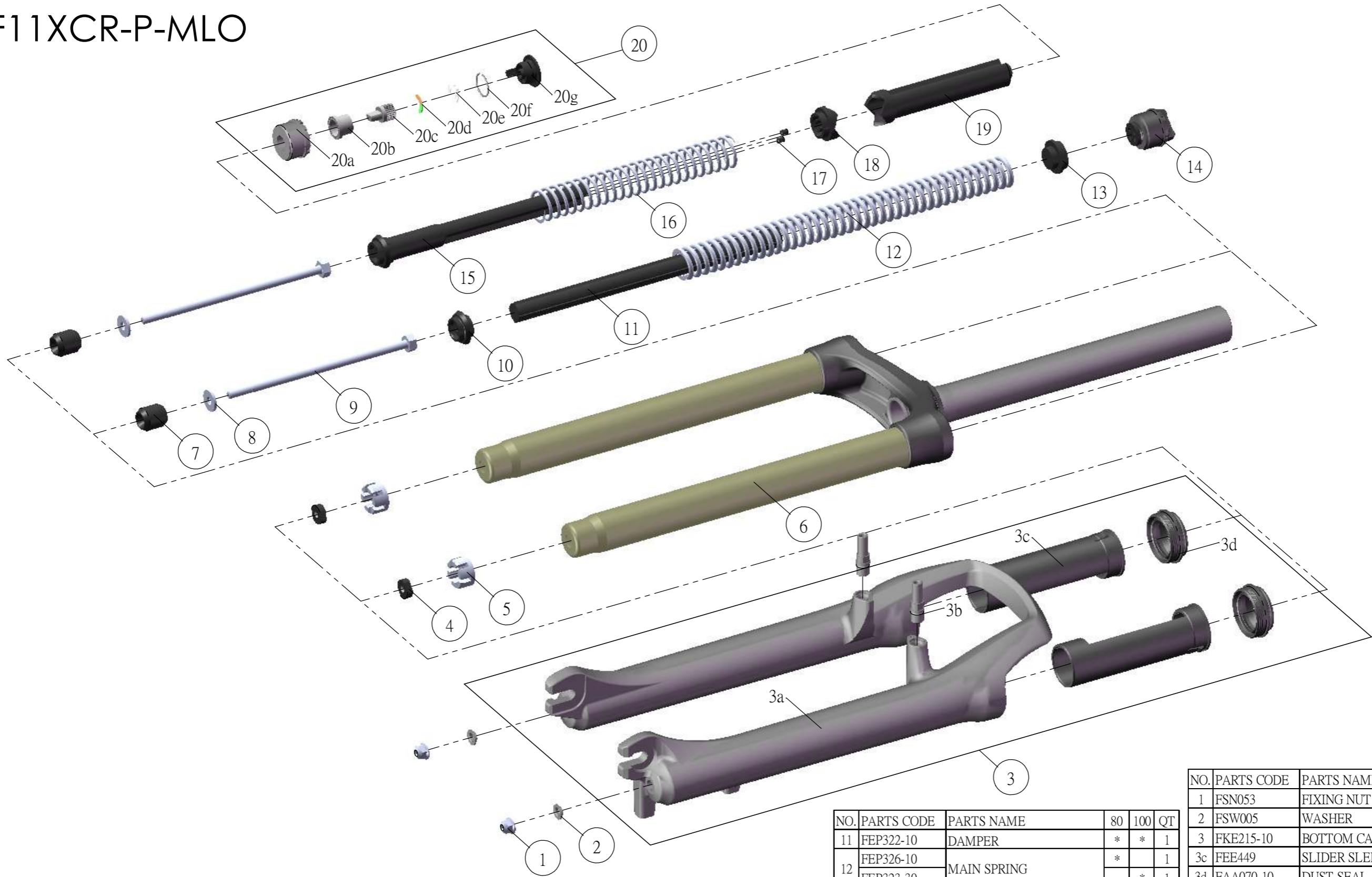


# SUNTOUR

SF11XCR-P-MLO



| NO. | PARTS CODE | PARTS NAME         | 80 | 100 | QT |
|-----|------------|--------------------|----|-----|----|
| 11  | FEP322-10  | DAMPER             | *  | *   | 1  |
| 12  | FEP326-10  | MAIN SPRING        | *  |     | 1  |
|     | FEP323-30  |                    |    | *   | 1  |
| 13  | FEE592-10  | SPRING GUIDE UPPER | *  | *   | 1  |
| 14  | FKE009-10  | ADJUSTER ASSY      | *  | *   | 1  |
| 15  | FEE590-10  | LOWER STOPPER      | *  | *   | 1  |
| 16  | FEP324-10  | SUB SPRING         | *  | *   | 1  |
| 17  | FEP263     | BOTTOM DAMPER      | *  | *   | 2  |
| 18  | FEE591-10  | LOWER INDEX        | *  | *   | 1  |
| 19  | FEE589-10  | UPPER STOPPER      | *  | *   | 1  |
| 20  | FKE078-12  | MLO TOP CAP ASSY   | *  | *   | 1  |

| NO. | PARTS CODE | PARTS NAME         | 80 | 100 | QT |
|-----|------------|--------------------|----|-----|----|
| 1   | FSN053     | FIXING NUT         | *  | *   | 2  |
| 2   | FSW005     | WASHER             | *  | *   | 2  |
| 3   | FKE215-10  | BOTTOM CASE ASSY   | *  | *   | 1  |
| 3c  | FEE449     | SLIDER SLEEVES     | *  | *   | 2  |
| 3d  | FAA070-10  | DUST SEAL          | *  | *   | 2  |
| 4   | FSN025     | NUT PLATE          | *  | *   | 2  |
| 5   | FEE903     | BOTTOM STOPPER     | *  | *   | 2  |
| 6   | FKE295-11  | UPPER ASSY         | *  | *   | 1  |
| 7   | FEP086     | REBOUND RUBBER     | *  | *   | 2  |
| 9   | FSB0109-45 | FIXING BOLT        | *  |     | 2  |
|     | FSB0109-42 |                    |    | *   | 2  |
| 10  | FEE593-10  | SPRING GUIDE LOWER | *  | *   | 1  |