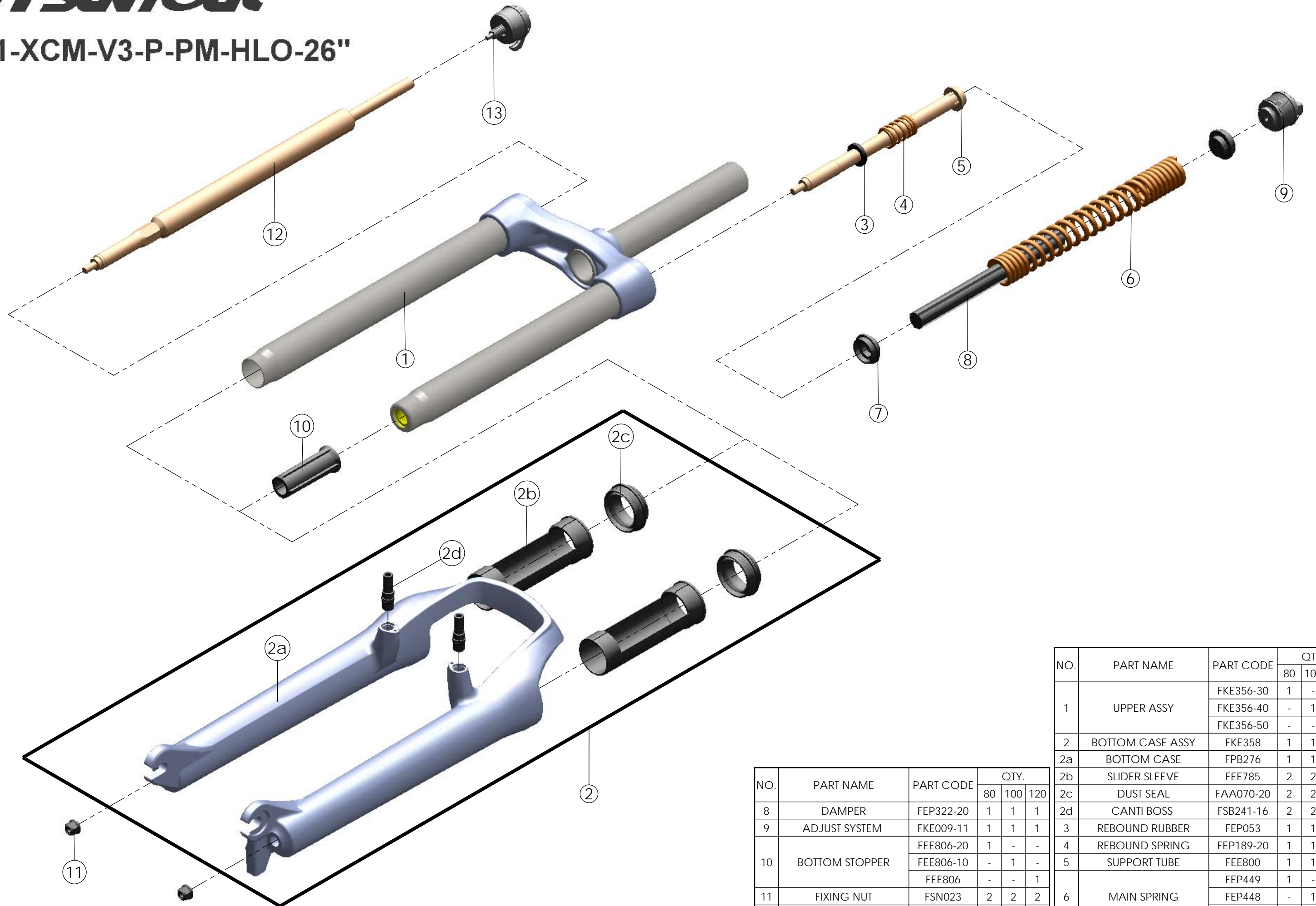


SF SUNTOUR

SF11-XCM-V3-P-PM-HLO-26"



| NO. | PART NAME | PART CODE | QTY. | | |
|-----|------------------|-----------|------|-----|-----|
| | | | 80 | 100 | 120 |
| 8 | DAMPER | FEP322-20 | 1 | 1 | 1 |
| 9 | ADJUST SYSTEM | FKE009-11 | 1 | 1 | 1 |
| 10 | BOTTOM STOPPER | FEE806-20 | 1 | - | - |
| | | FEE806-10 | - | 1 | - |
| | | FEE806 | - | - | 1 |
| 11 | FIXING NUT | FSN023 | 2 | 2 | 2 |
| 12 | DAMPER UNIT | FUN050-11 | 1 | 1 | 1 |
| 13 | LO ADJUST SYSTEM | FKE028-26 | 1 | 1 | 1 |

| NO. | PART NAME | PART CODE | QTY. | | |
|-----|------------------|-----------|------|-----|-----|
| | | | 80 | 100 | 120 |
| 1 | UPPER ASSY | FKE356-30 | 1 | - | - |
| | | FKE356-40 | - | 1 | - |
| | | FKE356-50 | - | - | 1 |
| 2 | BOTTOM CASE ASSY | FKE358 | 1 | 1 | 1 |
| 2a | BOTTOM CASE | FPB276 | 1 | 1 | 1 |
| 2b | SLIDER SLEEVE | FEE785 | 2 | 2 | 2 |
| 2c | DUST SEAL | FAA070-20 | 2 | 2 | 2 |
| 2d | CANTI BOSS | FSB241-16 | 2 | 2 | 2 |
| 3 | REBOUND RUBBER | FEP053 | 1 | 1 | 1 |
| 4 | REBOUND SPRING | FEP189-20 | 1 | 1 | 1 |
| 5 | SUPPORT TUBE | FEE800 | 1 | 1 | 1 |
| 6 | MAIN SPRING | FEP449 | 1 | - | - |
| | | FEP448 | - | 1 | - |
| | | FEP447 | - | - | 1 |
| 7 | SPRING GUIDE | FEE434-20 | 2 | 2 | 2 |