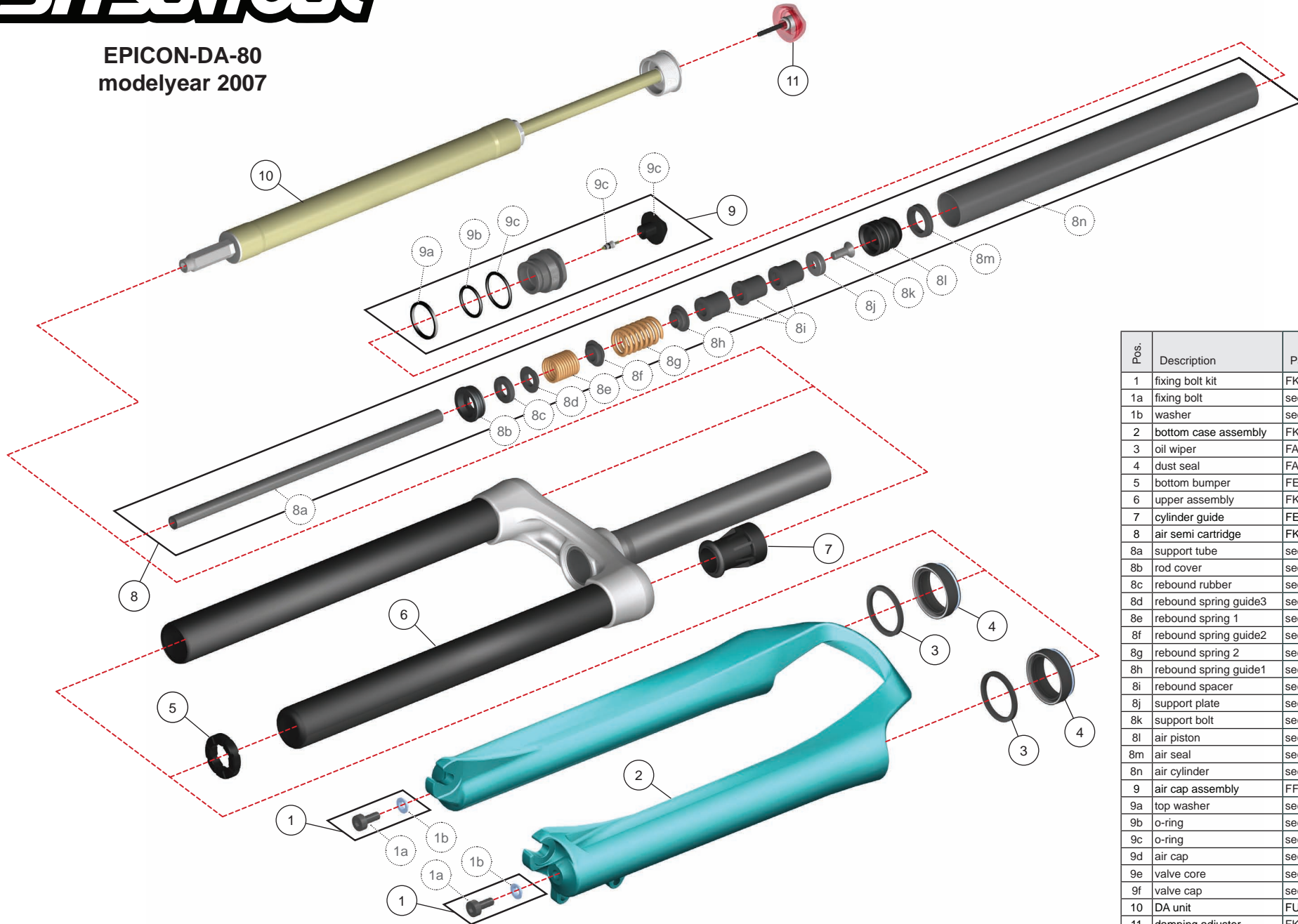


SR SUNTOUR

EPICON-DA-80
modelyear 2007



Pos.	Description	Part-No.	Qty.
1	fixing bolt kit	FKA044	2
1a	fixing bolt	see pos. 1	2
1b	washer	see pos. 1	2
2	bottom case assembly	FKE153	1
3	oil wiper	FAA207	2
4	dust seal	FAA169	2
5	bottom bumper	FEP233-10	1
6	upper assembly	FKE154-00	1
7	cylinder guide	FEE554	1
8	air semi cartridge	FKE146	1
8a	support tube	see pos.8	1
8b	rod cover	see pos.8	1
8c	rebound rubber	see pos.8	1
8d	rebound spring guide3	see pos.8	1
8e	rebound spring 1	see pos.8	1
8f	rebound spring guide2	see pos.8	1
8g	rebound spring 2	see pos.8	1
8h	rebound spring guide1	see pos.8	1
8i	rebound spacer	see pos.8	3
8j	support plate	see pos.8	1
8k	support bolt	see pos.8	1
8l	air piston	see pos.8	1
8m	air seal	see pos.8	1
8n	air cylinder	see pos.8	1
9	air cap assembly	FFKA021-20	1
9a	top washer	see pos.9	1
9b	o-ring	see pos.9	1
9c	o-ring	see pos.9	1
9d	air cap	see pos.9	1
9e	valve core	see pos.9	1
9f	valve cap	see pos.9	1
10	DA unit	FUN019-00	1
11	damping adjuster	FKA039	1