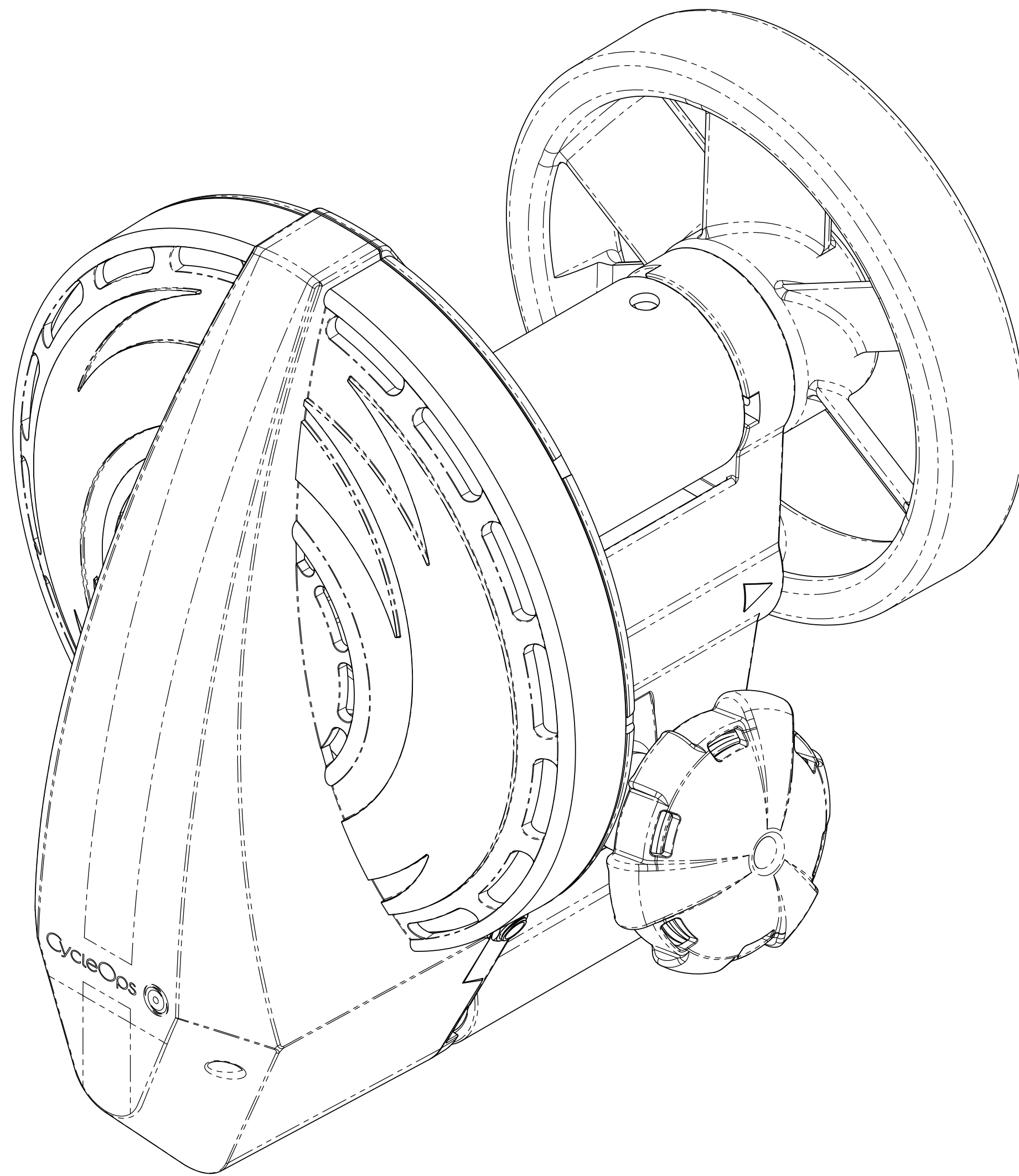
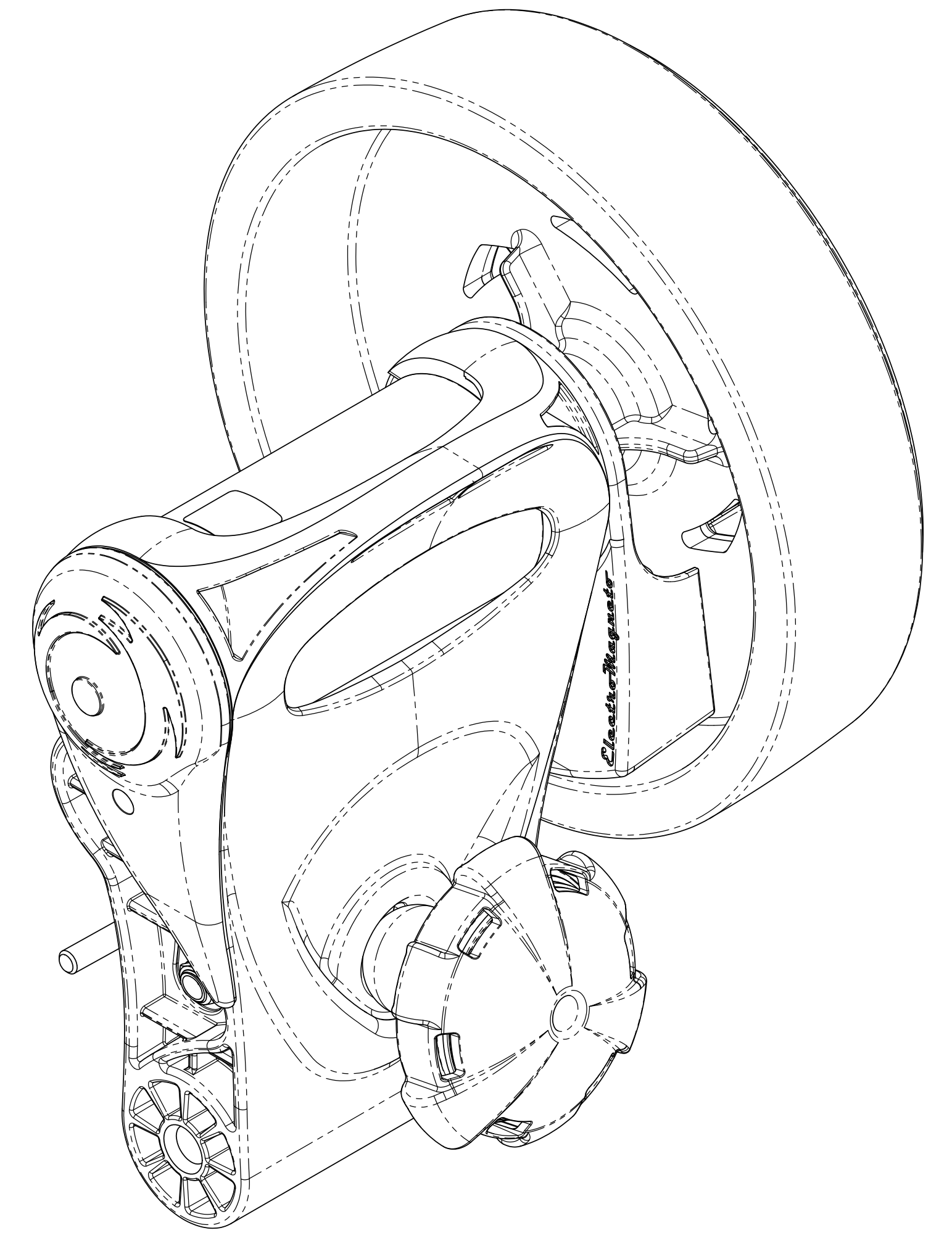


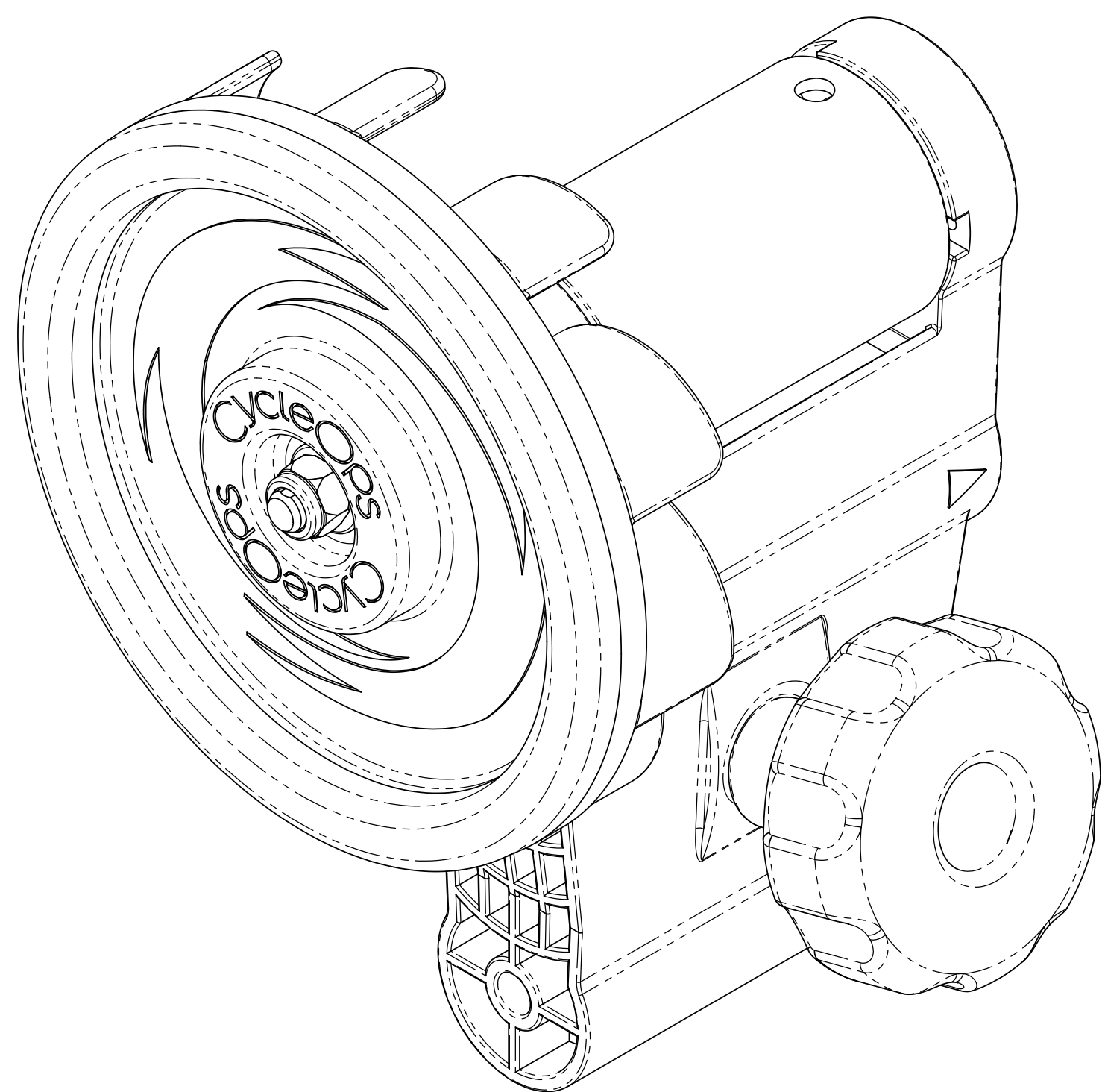
**FLUID2 RESISTANCE UNIT
22014**



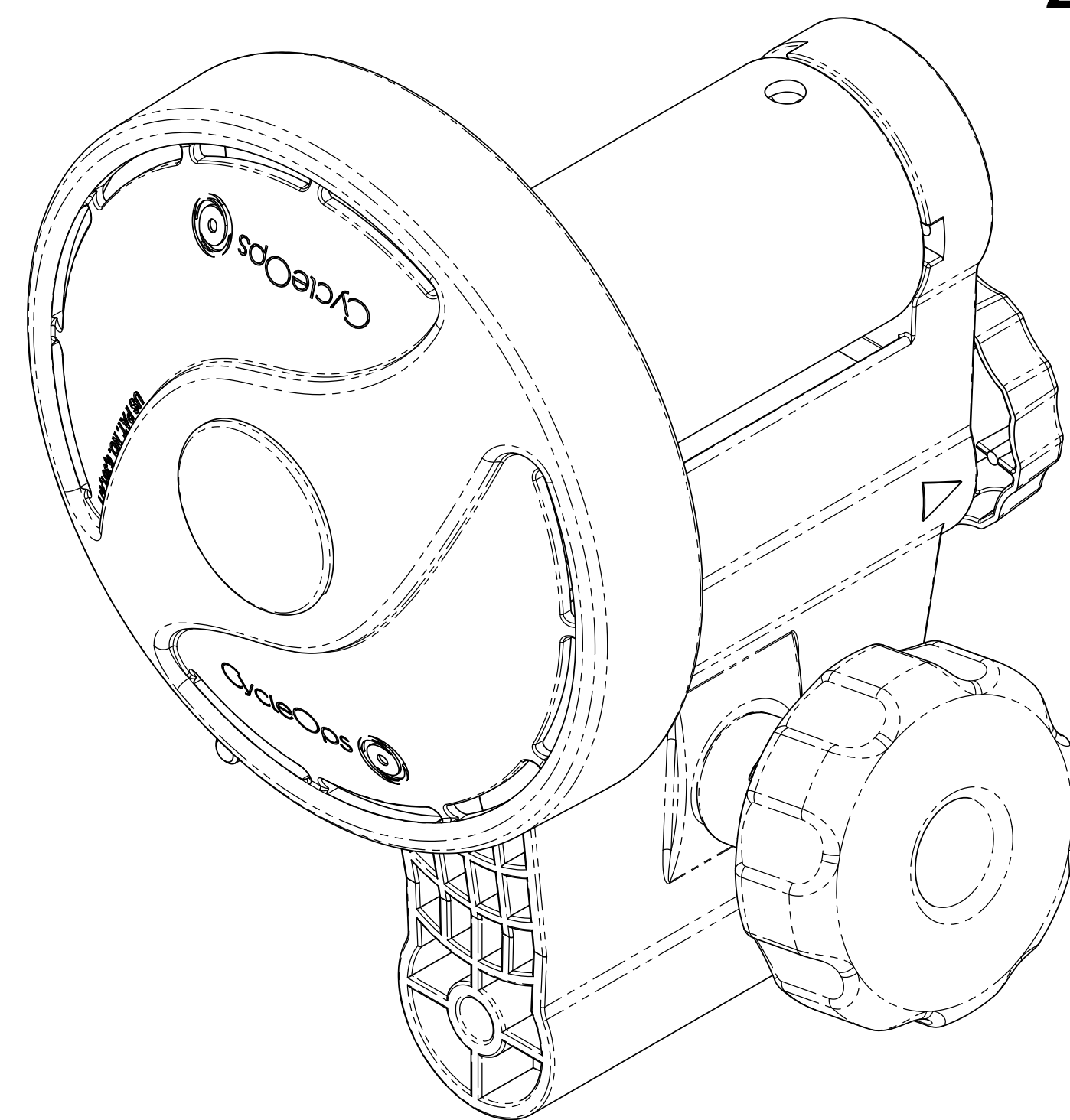
**MAGNUS RESISTANCE UNIT
25000**



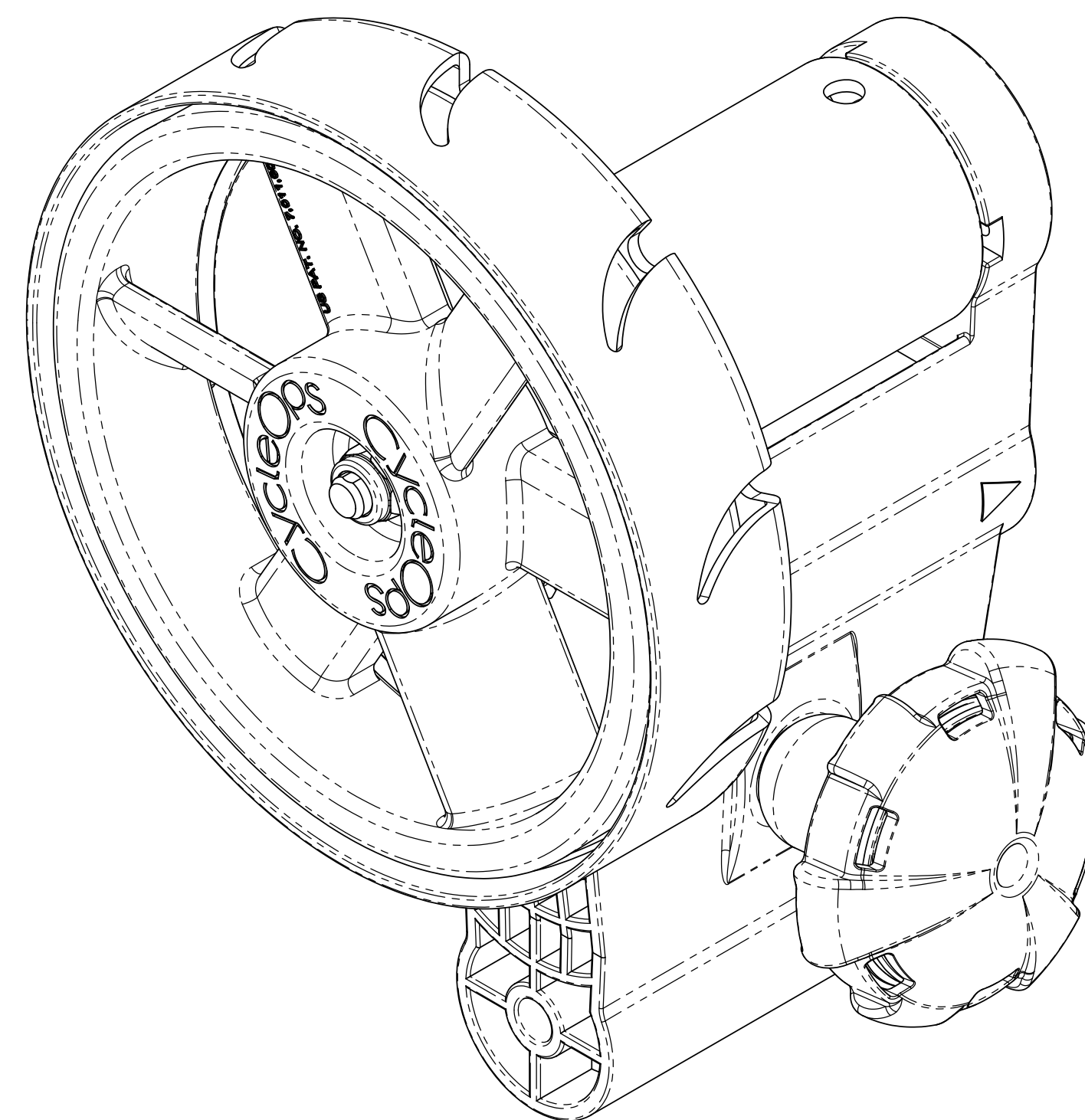
**POWERSYNC RESISTANCE UNIT
23326**



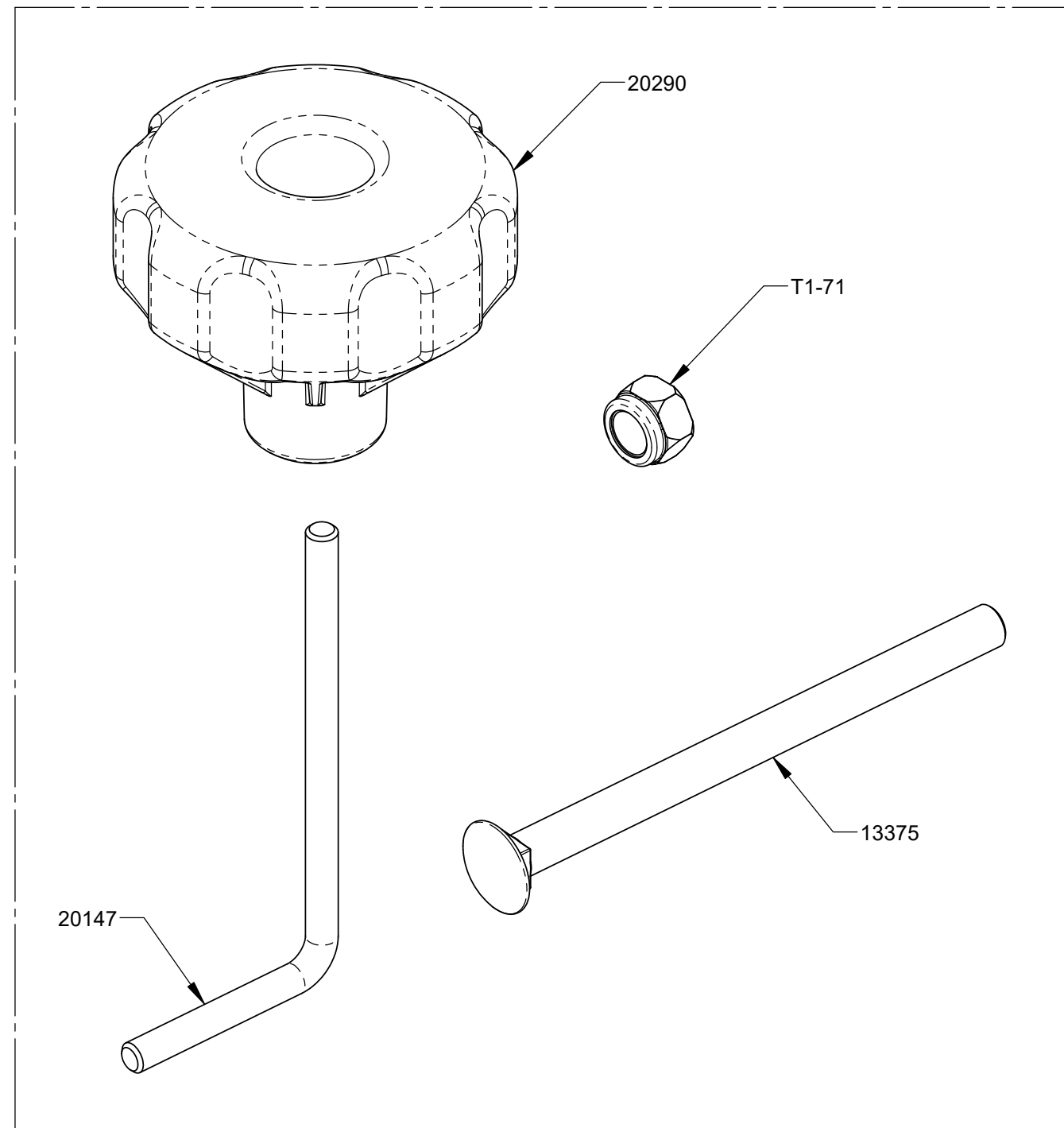
**WIND RESISTANCE UNIT
22011**



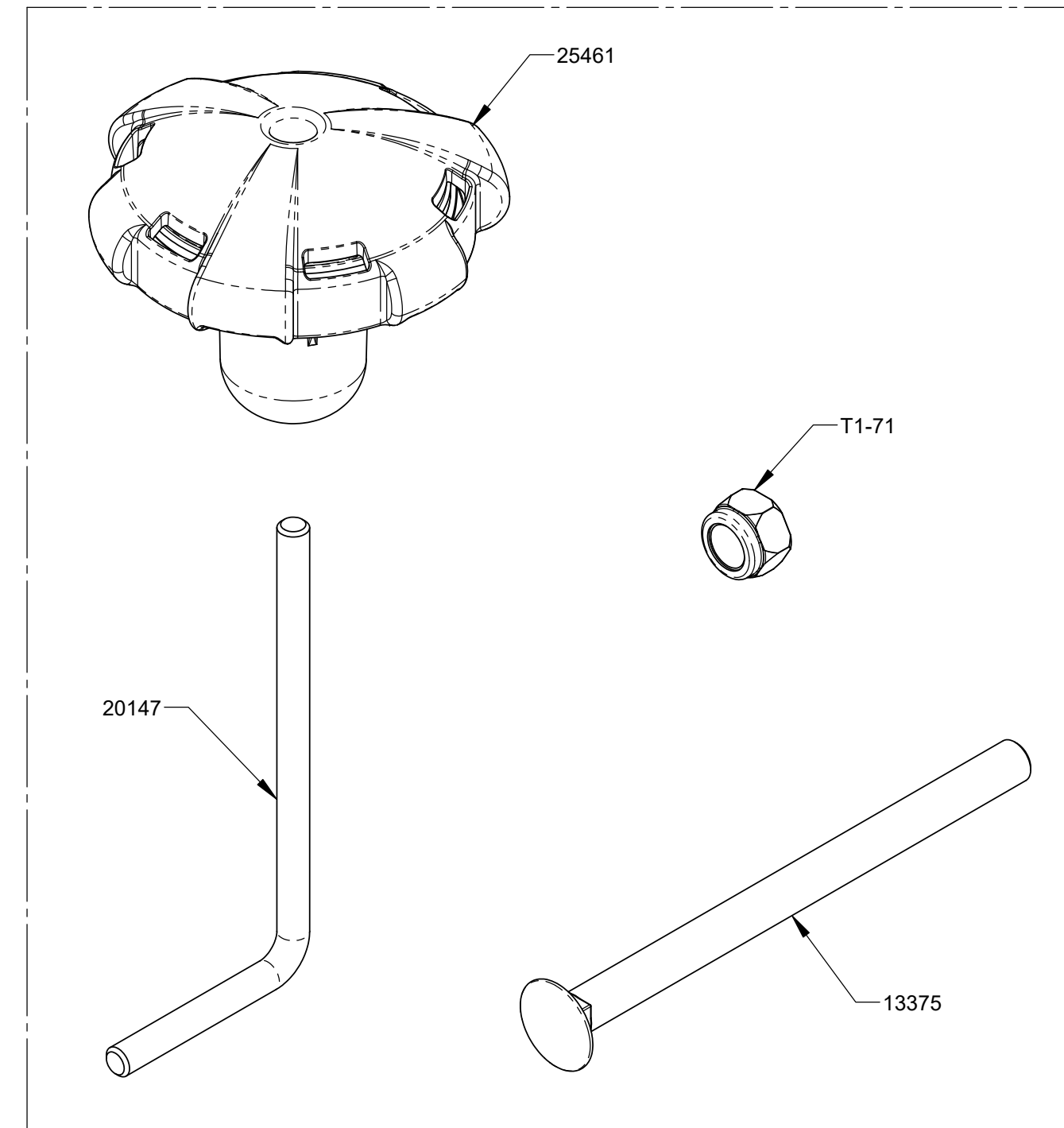
**MAG RESISTANCE UNIT
22012**



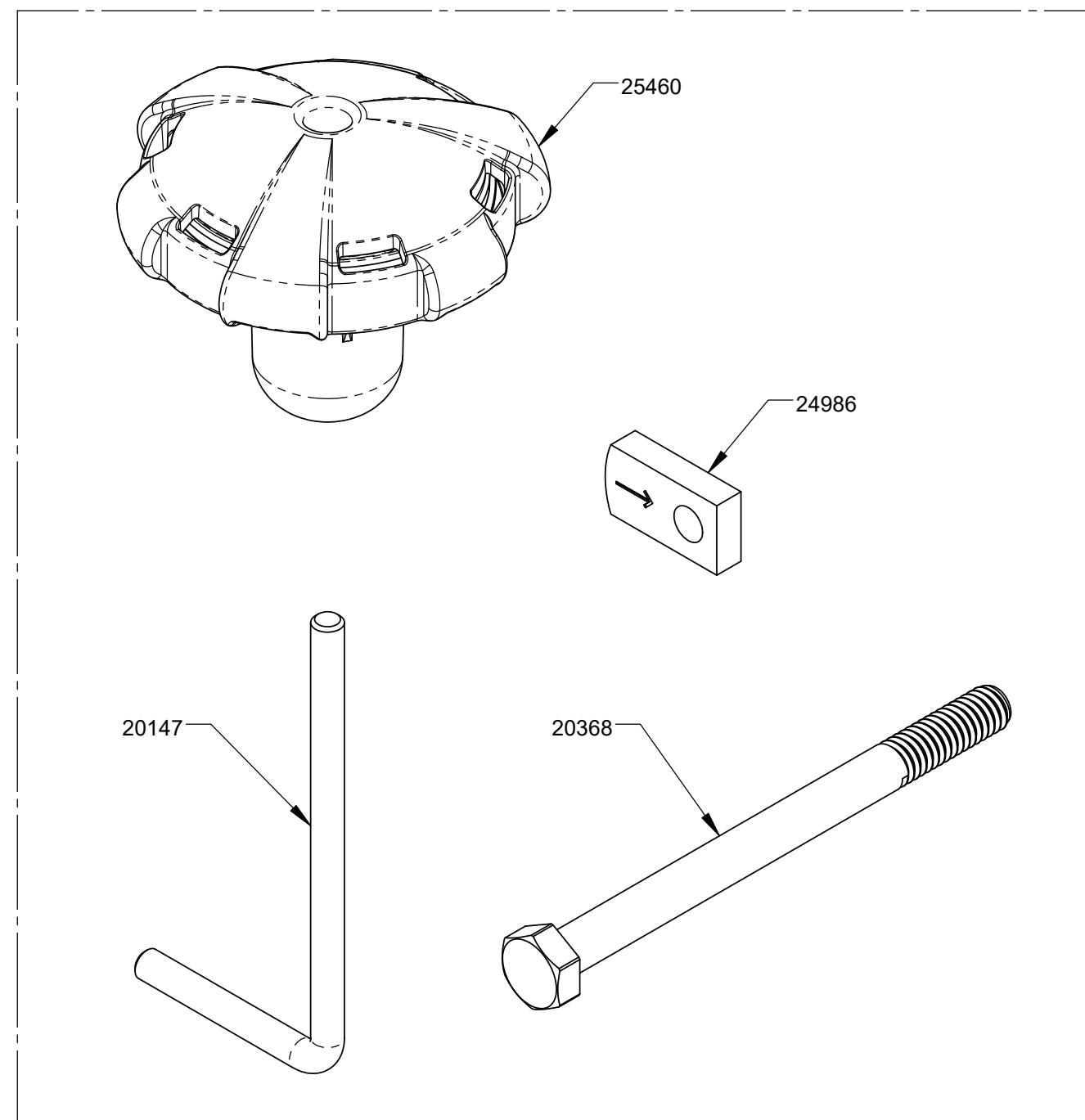
**MAGNETO RESISTANCE UNIT
22013**



20987 - IP, CLASSIC RU HDWE/KNOB
 INDIVIDUAL COMPONENTS AVAILABLE UPON REQUEST



22197 - IP, CLASSIC RU HDWE/RATCH KNOB
 INDIVIDUAL COMPONENTS AVAILABLE UPON REQUEST



25177 - IP, MAGNUS RU HDWE/RATCH KNOB
 INDIVIDUAL COMPONENTS AVAILABLE UPON REQUEST

		<p>SARIS CYCLING GROUP 5253 VERONA RD., MADISON WI. 53711 1-800-783-7257 / 1-608-274-6550 WWW.SARIS.COM WWW.CYCLEOPS.COM WWW.POWERTAP.COM</p>
		<p><small>© SARIS CYCLING GROUP 2014 THE INFORMATION CONTAINED IN THIS DOCUMENT IS THE CONFIDENTIAL PROPERTY OF SARIS CYCLING GROUP AND REPRODUCTION IN WHOLE OR IN PART WITHOUT THE WRITTEN PERMISSION OF SARIS CYCLING GROUP IS PROHIBITED.</small></p> <p>TITLE: 23087 - CLASSIC SERIES IP</p>