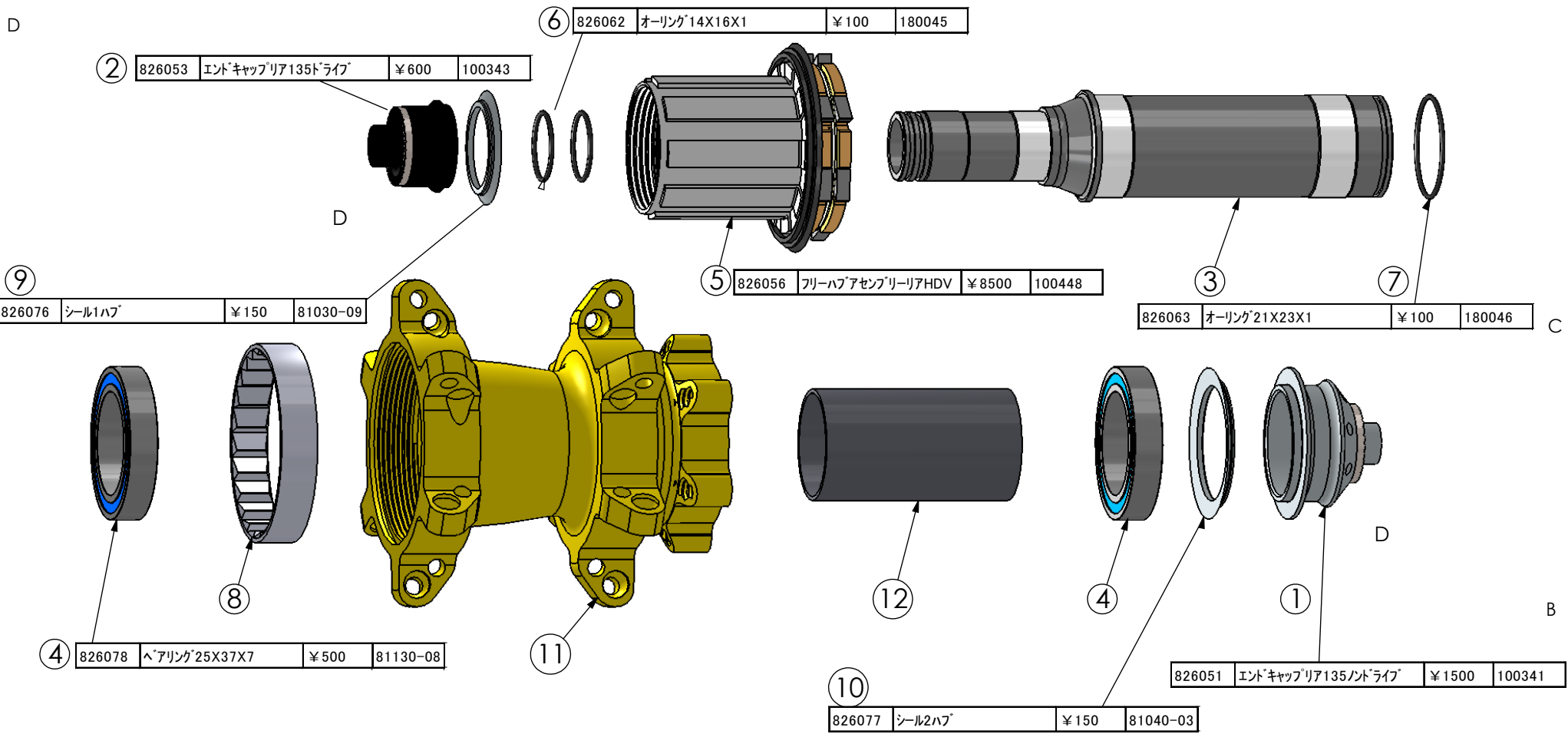


THE INFORMATION CONTAINED IN THIS DRAWING IS THE SOLE PROPERTY OF CRANK BROTHERS. ANY REPRODUCTION IN PART OR WHOLE WITHOUT THE WRITTEN PERMISSION OF CRANK BROTHERS IS PROHIBITED.



ITEM #	PART #	NAME	MATERIAL / SIZE / DESCRIPTION	QTY.
1	180158	ASSEMBLY, END CAP REAR HUB LARGE	6061-T6 ALU. ANODIZED SILVER	1
2	180157	ASSEMBLY, END CAP REAR HUB SMALL	6061-T6 ALU. ANODIZED SILVER	1
3	100335	AXLE, REAR HUB LIGHT	7075-T6 ALU. ANODIZED BLACK	1
4	81130-08	CARTRIDGE BEARING 25X37X7	6805 LLB C-3 (25 x 37 x 7 MM) GREASE: 80% MOBIL HP 222 ABEC LEVEL 3	2
5	100448	CASSETTE ASSEMBLY, HD REAR HUB	ALUMINUM / STEEL	1
6	180045	O-RING, 14 X 16 X 1	BUNA-N, BLACK, 13.8X15.8X1 TO 14X16X1	1
7	180046	O-RING, 21 X 23 X 1	BUNA-N, BLACK, 20.5X22.5X1 TO 21X23X1	1
8	100346	RING, RATCHET TEETH	STEEL, 415	1
9	81030-09	SEAL1, HUB	RUBBER	1
10	81040-03	SEAL 2, HUB	RUBBER	1
11	100351-03	SHELL, REAR 4 BEARING V HUB	FORGED AND MACHINED 6061-T6	1
12	100353	SPACER	6061 ALU. ANODIZED BLACK	1