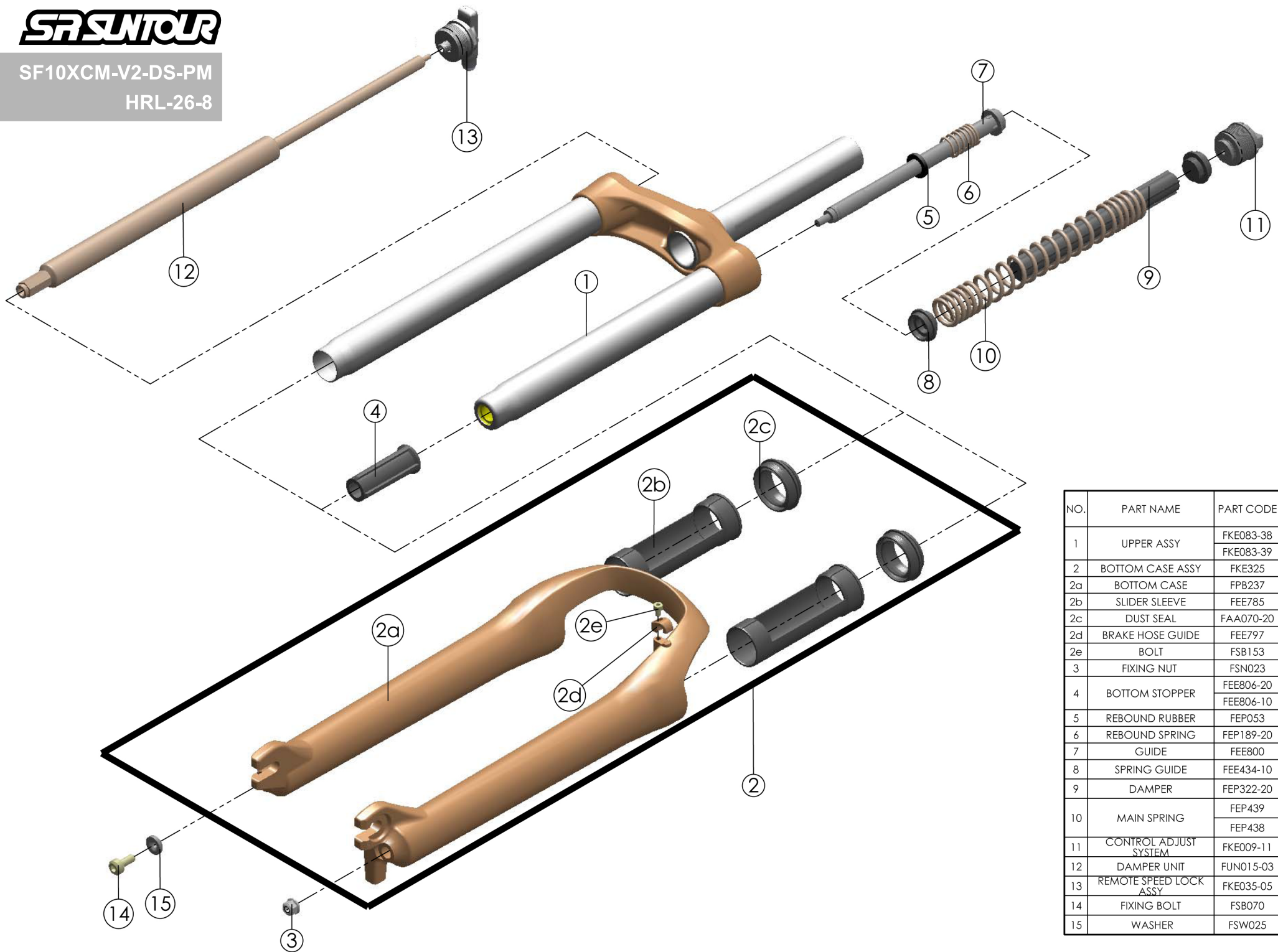


# SUNTOUR

SF10XCM-V2-DS-PM  
HRL-26-8



NO.	PART NAME	PART CODE	QTY.	
			80	100
1	UPPER ASSY	FKE083-38	1	-
		FKE083-39	-	1
2	BOTTOM CASE ASSY	FKE325	1	1
2a	BOTTOM CASE	FPB237	1	1
2b	SLIDER SLEEVE	FEE785	2	2
2c	DUST SEAL	FAA070-20	2	2
2d	BRAKE HOSE GUIDE	FEE797	1	1
2e	BOLT	FSB153	1	1
3	FIXING NUT	FSN023	1	1
4	BOTTOM STOPPER	FEE806-20	1	-
		FEE806-10	-	1
5	REBOUND RUBBER	FEP053	1	1
6	REBOUND SPRING	FEP189-20	1	1
7	GUIDE	FEE800	1	1
8	SPRING GUIDE	FEE434-10	2	2
9	DAMPER	FEP322-20	1	1
10	MAIN SPRING	FEP439	1	-
		FEP438	-	1
11	CONTROL ADJUST SYSTEM	FKE009-11	1	1
12	DAMPER UNIT	FUN015-03	1	1
13	REMOTE SPEED LOCK ASSY	FKE035-05	1	1
14	FIXING BOLT	FSB070	1	1
15	WASHER	FSW025	1	1