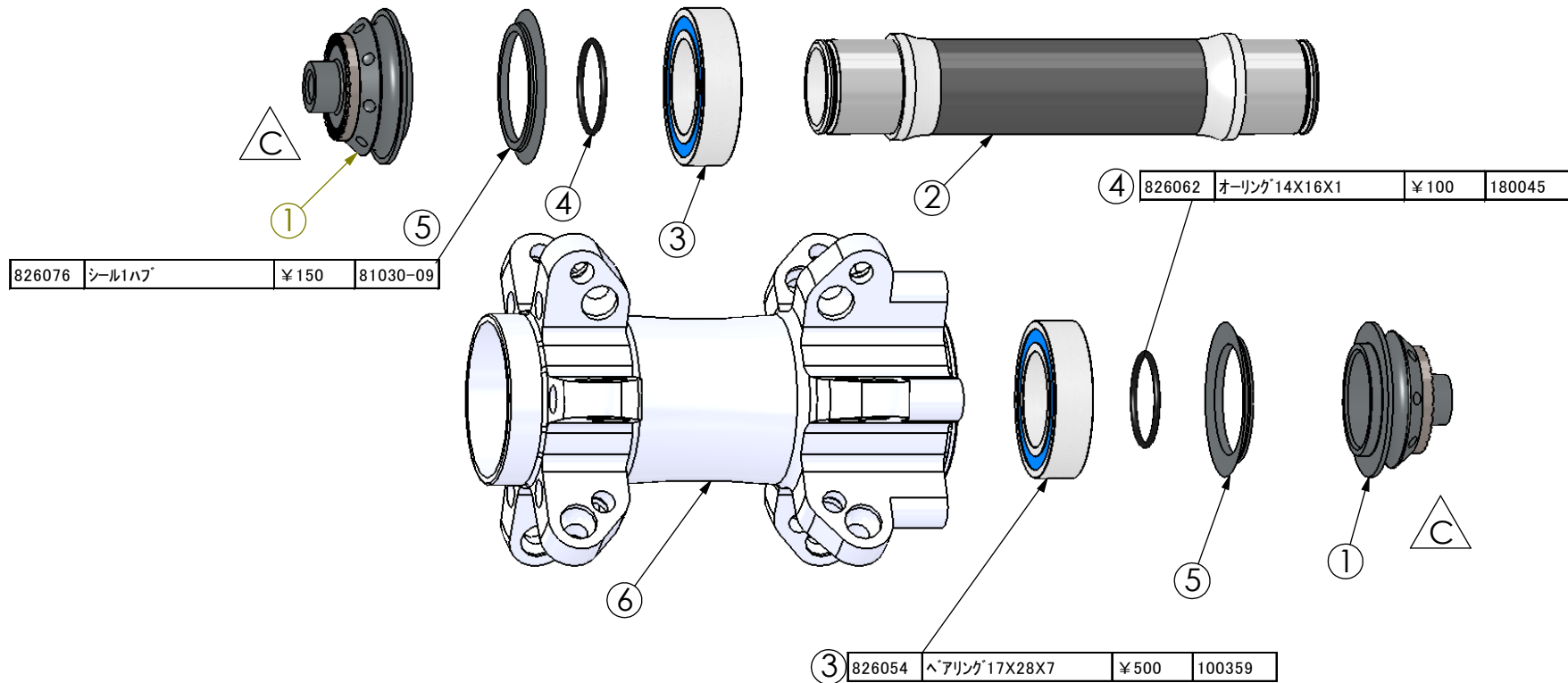


THE INFORMATION CONTAINED IN THIS DRAWING IS THE SOLE PROPERTY OF CRANK BROTHERS. ANY REPRODUCTION IN PART OR WHOLE WITHOUT THE WRITTEN PERMISSION OF CRANK BROTHERS IS PROHIBITED.



ITEM #	PART #	NAME	MATERIAL / SIZE / DESCRIPTION	QTY.
1	180156	ASSEMBLY, END CAP FRONT XC HUB	6061-T6 ALUMINUM, ANODIZED SILVER	2
2	100332	AXLE, FRONT XC HUB BLACK	7075-T6 ALUMINUM, ANODIZED BLACK	1
3	100359	BEARING, SEALED CARTRIDGE 17X28X7	MR 17287 LLB (17 x 28 x 7 MM) GREASE: 80% KYODO YUSHI PS2 ABEC LEVEL 3	2
4	180045	ORING, 14X16X1	BUNA-N-RUBBER, BLACK, 13.8X15.8X1 TO 14X16X1	2
5	81030-09	SEAL 1, HUB	BUNA-N-RUBBER, BLACK	2
6	100348-02	SHELL, FRONT XC V HUB	FORGED 6061-T6 ANODIZED JY-004	1